



WATER FILTRATION SYSTEMS AND EQUIPMENT

*F-SERIES*<sup>®</sup>

WWW.EVERFILT.COM

FERTILIZER  
INJECTION TANKS



WWW.EVERFILT.COM



## F-Series Fertilizer Injection Tanks

The Everfilt® Fertilizer Injection Tank is a great solution when chemical applications like dry or liquid fertilizer, is required on low volume drip or irrigation systems. Utilizing line / system pressure to operate without requiring a pump or moving components, creates a user friendly hands free option.

Flow rate or amount of solution can be regulated by installing a flow control valve or flow meter. For dilution or dosage recommendations please consult with a chemical or fertilizer manufacturer.

## Key Features

- Full-Line of Replacement Parts Available.
- 3M134 Interior Coating, Fuze Coated Exterior for Durability.
- 3 Leg Construction Allows for Easability While Leveling.
- Drain Port Located on Bottom of Tank.
- Complete Carbon Steel Construction.
- Rated for **125 PSI**.
- \* **Custom Sizes** ( please inquire through your local **DEALER** )

Available in the following sizes:  
**NO PUMP REQUIRED!**

**5 • 15 • 30 • 45 • 75**  
GALLON      GALLON      GALLON      GALLON      GALLON



FT-5 | 5-Gallon Model Shown



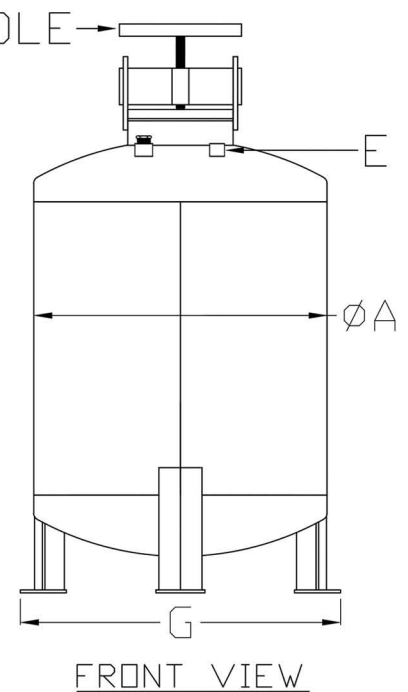
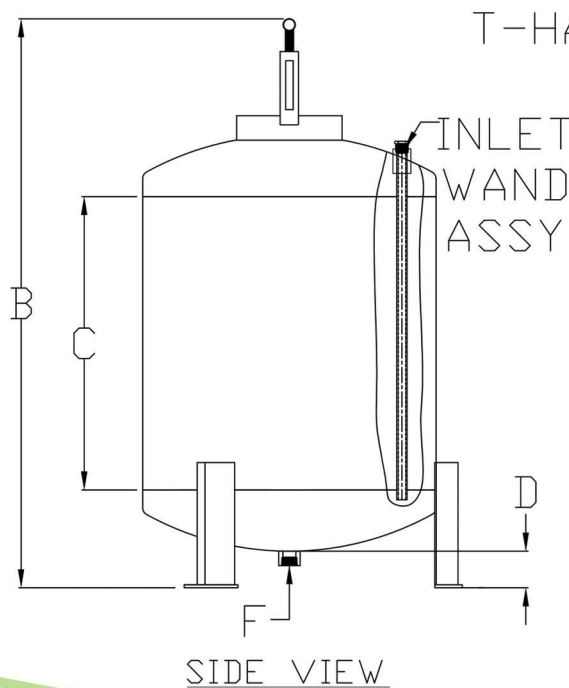
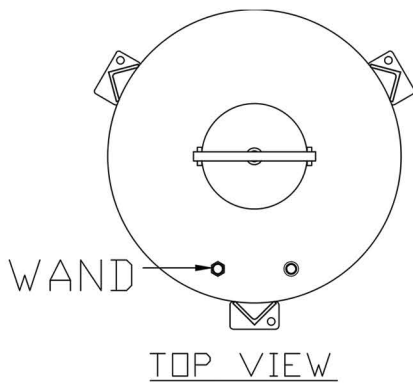
## F-Series Fertilizer Injection Tanks

DESCRIPTION	PART #	CAPACITY	PRESSURE	WEIGHT
FT - 5 GALLON	4039-01	5 GAL.	125 PSI	70 LBS
FT - 15 GALLON	4039-02	15 GAL.	125 PSI	132 LBS
FT - 30 GALLON	4039-03	30 GAL.	125 PSI	198 LBS
FT - 45 GALLON	4039-04	45 GAL.	125 PSI	203 LBS
FT - 75 GALLON	4039-05	75 GAL.	125 PSI	286 LBS

## Tank Dimensions

\*Measurements in (inches)

MODEL	A	B	C	D	E	F	G
FT - 5 GALLON	12.75	33.43	12.0	3.0	0.5	1.0	16.5
FT - 15 GALLON	18.0	31.84	12.0	3.0	0.5	1.0	21.0
FT - 30 GALLON	18.0	43.84	24.0	3.0	0.5	1.0	21.0
FT - 45 GALLON	24.0	46.57	24.0	3.0	0.5	1.0	26.2
FT - 75 GALLON	24.0	58.75	36.0	3.0	0.5	1.0	26.2



## Dry Fertilizer

1. Turn off all ½" ball valves.
2. Remove fill port cover.
3. Open drain valve and drain tank.
4. Close drain valve.
5. Open inlet valve and partially fill tank.
6. Pour in fertilizer and mix.
7. Add water until fertilizer is mixed and tank is full.
8. Replace fill port cover.
9. Open inlet and outlet valve.

## Liquid Fertilizer

1. Turn off all ½" ball valves.
2. Remove fill port cover.
3. Open drain valve and drain tank.
4. Close drain valve.
5. Fill with fertilizer.
6. Fill with water as required.
7. Replace fill port cover.
8. Open inlet and outlet valve.

## Operation

Water is forced into the fertilizer through the inlet line because of the pressure differential caused by the regulating line valve. Fertilizer is mixed with the incoming water and discharged through the outlet of the fertilizer tank into the low pressure differential side of the regulating line valve. Six gallons of water is required per gallon of fertilizer tank capacity to completely purge the fertilizer tank. For example, a 50 gallon fertilizer tank will require 300 gallons of water passing through it to purge it. ( $6 \times 50 = 300$ ).

During operation, the fertilizer tank should always be completely purged and allowed to operate a minimum of 1 hour prior to shutdown. This will ensure long life of the fertilizer tank. Flow through the fertilizer tank may be adjusted by throttling of inlet or outlet valve. **\*Do Not Remove fill port cover during fertilizer tank operation.**

## Manifold Kit Assembly

PART	DESCRIPTION
A	1/2" ST. EL. TxT
B	1/2" NIPPLE
C	1/2" BALL VALVE TxT
D	1/2" x 5/8" POLY. M.A.
E	5/8" POLY TUBING

